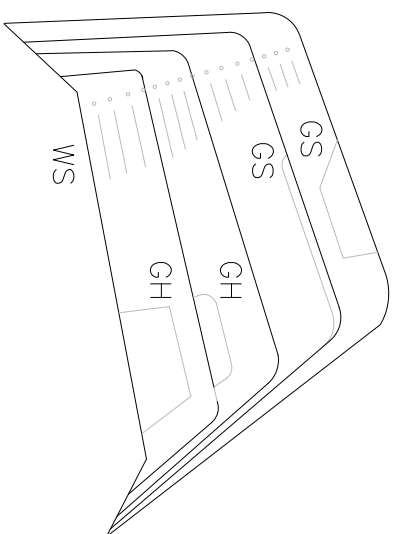
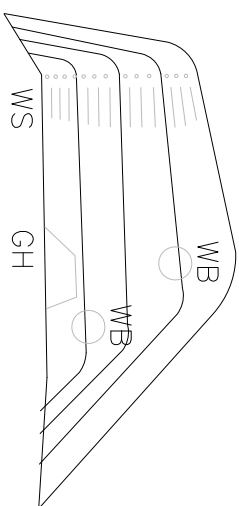


DUNE PROTOTYPE

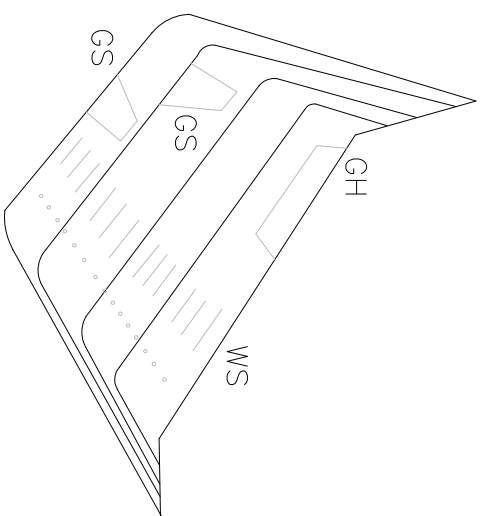
DUNE 1



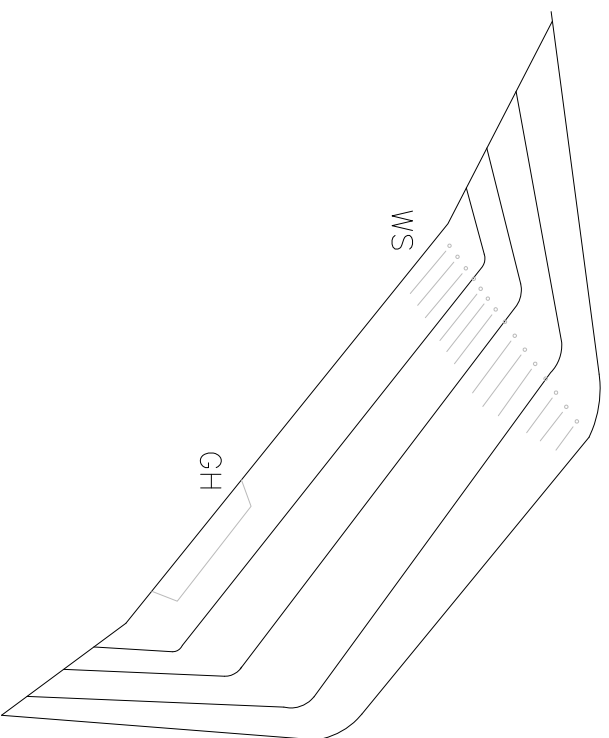
DUNE 2



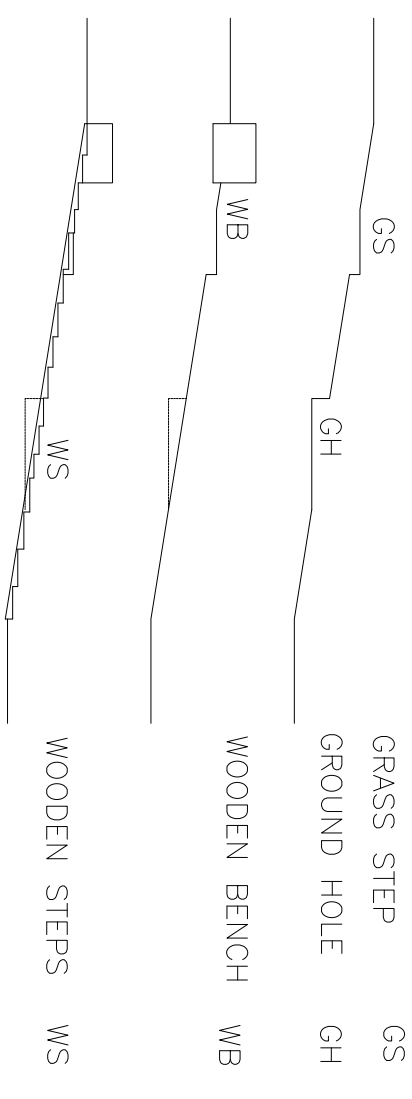
DUNE 3



DUNE 4



DUNE DEFORMATIONS



SURFACES

